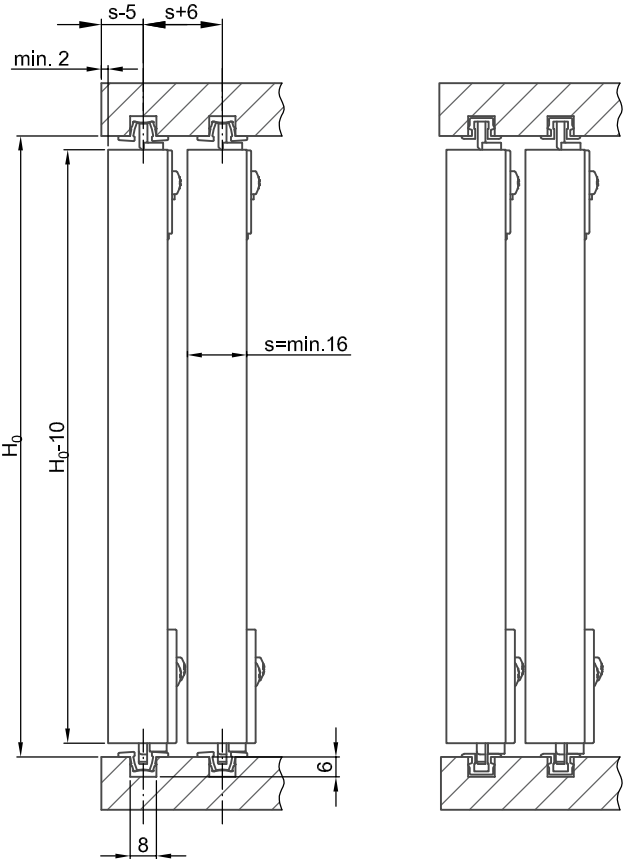
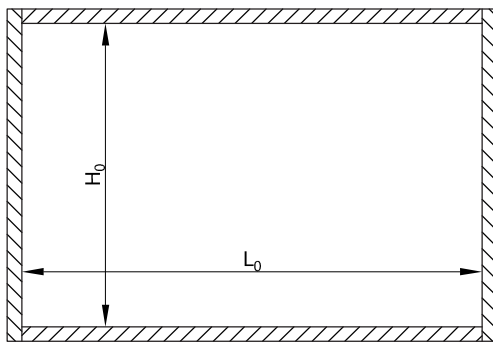
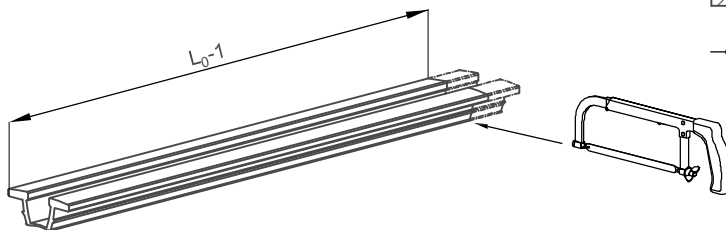


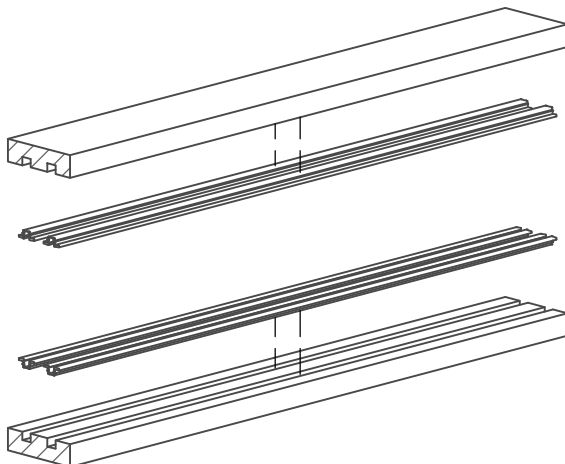
$$d = \frac{L_0 + (n-1) \cdot z}{n} \quad z=15$$



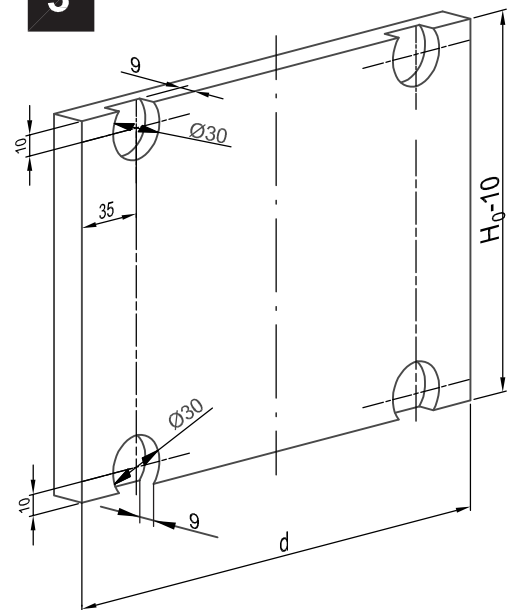
1



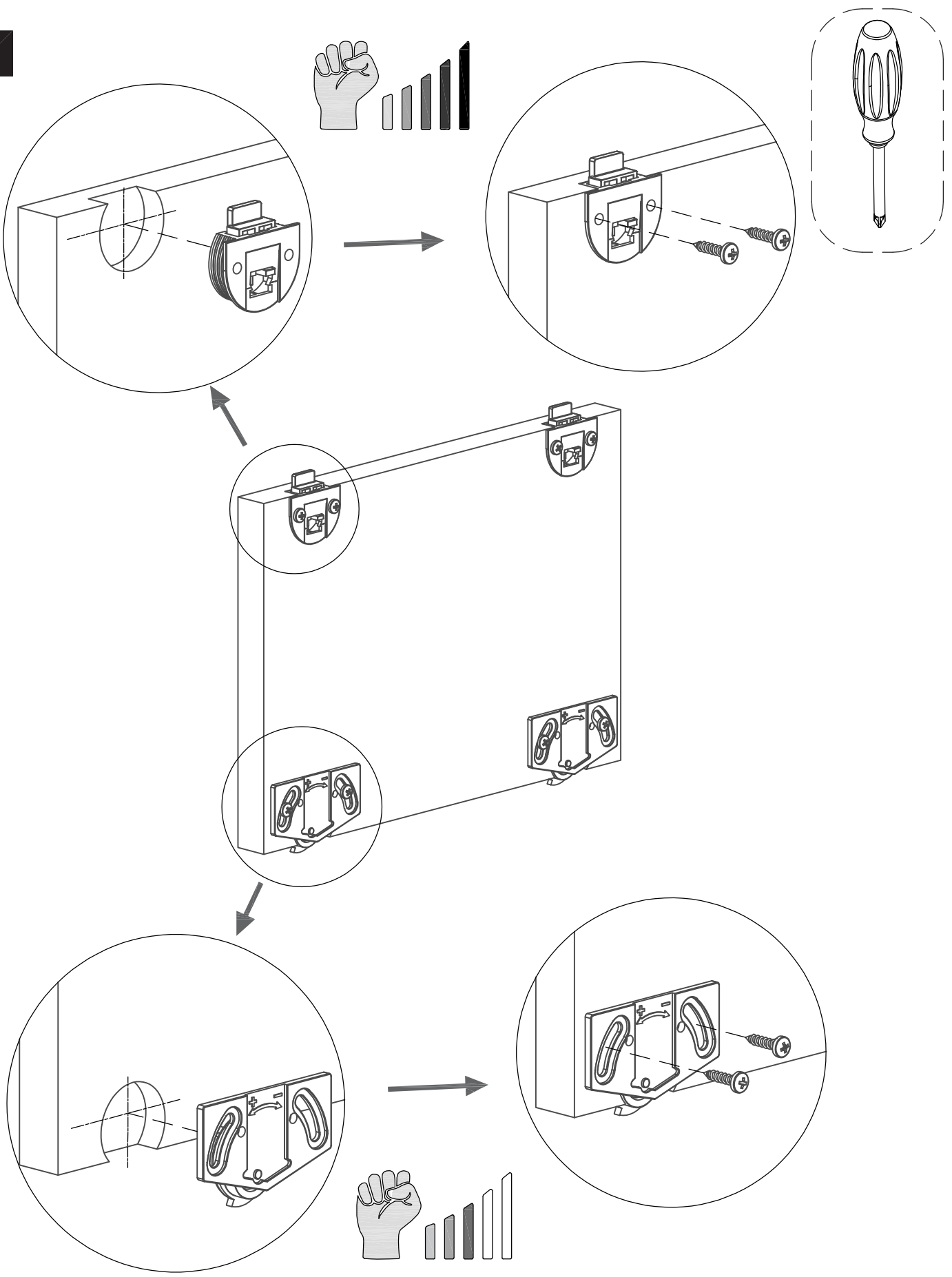
2



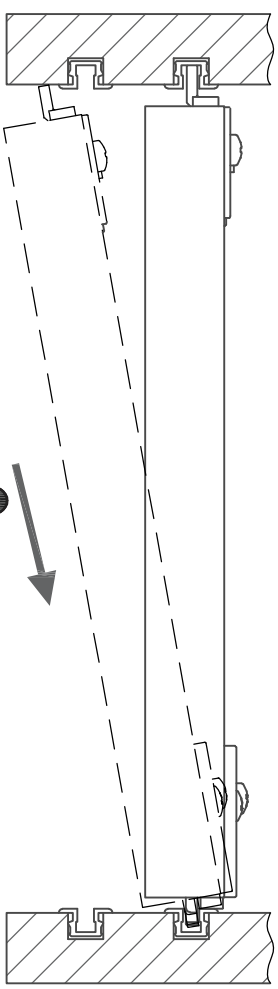
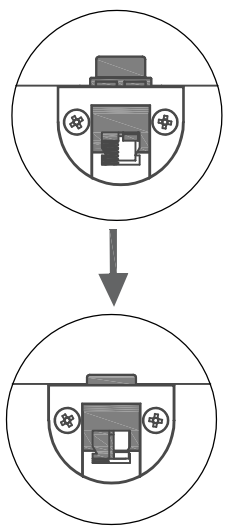
3



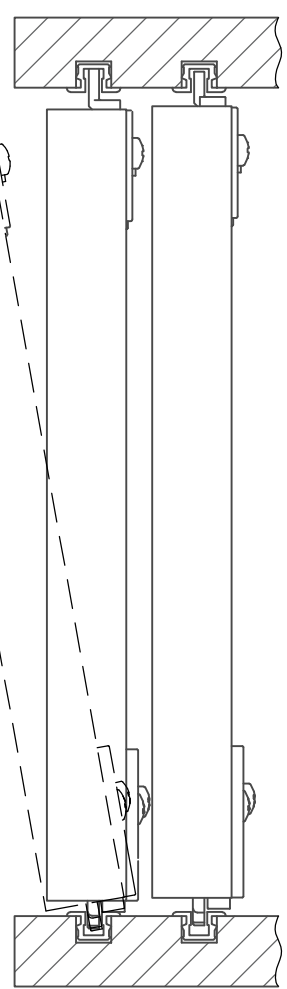
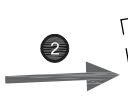
4



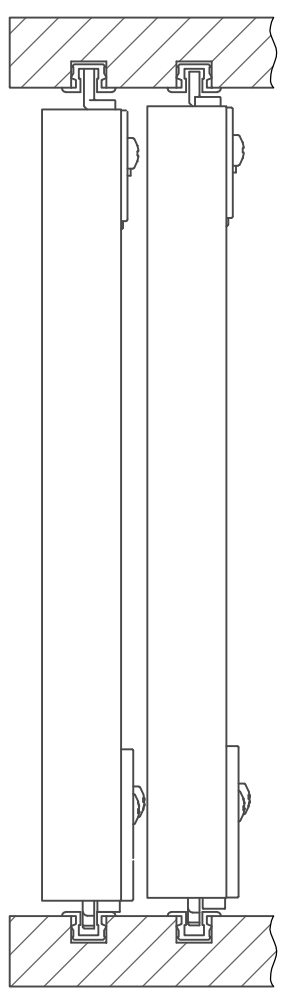
5



6



7



8

180°

